



**Modular Cooking Range Line**  
thermaline 80 - 400 mm Cupboard base  
with 1 door, GN conform, 1 Side (H2) -  
H=450

ITEM # \_\_\_\_\_

MODEL # \_\_\_\_\_

NAME # \_\_\_\_\_

SIS # \_\_\_\_\_

AIA # \_\_\_\_\_



**588134 (MAIDCADO00)** Cupboard Base with 1 door,  
one-side operated, GN - H2

### Short Form Specification

Item No. \_\_\_\_\_

400 mm wide cupboard base with 1 door with hygienic design and round edges. Internal frame for heavy duty sturdiness in stainless steel. Flat surface construction, easily cleanable. Cupboard storage space accepts GN 1/1 containers. IPX5 water resistant certification. Configuration: One-side operated freestanding base, hygienic class H2.

### Main Features

- Cupboard compartment for storage of pots, pans, sheet pans etc.
- All major components may be easily accessed from the front.
- THERMODUL connection system creates a seamless work top when units are connected to each other thus avoiding soil penetrating vital components and facilitating the removal of units in case of replacement or service.
- Unit constructed according to DIN 18860\_2 with 70 mm recessed plinth.

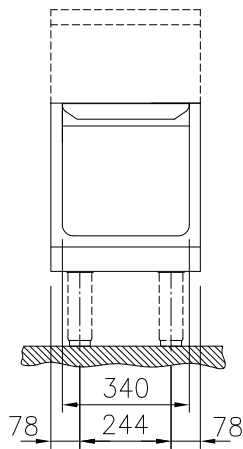
### Construction

- IPX5 water resistance certification.
- Hygienic design of the base cupboard with large round edges.
- 2 mm top in 1.4301 (AISI 304).
- Flat surface construction with minimal hidden areas to easily clean all surfaces
- Storage space in the base of the appliance accepts GN1/1 containers.
- Internal frame for heavy duty sturdiness in stainless steel.

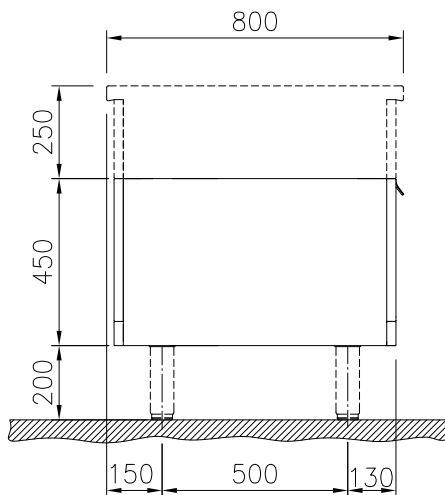
APPROVAL: \_\_\_\_\_



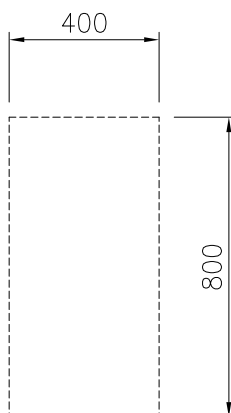
Front



Side



Top


**Key Information:**

External dimensions, Width:	
588134 (MAIDCADO00)	400 mm
External dimensions, Depth:	800 mm
External dimensions, Height:	450 mm
Cupboard Cavity Dimensions (width):	340 mm
Cupboard Cavity Dimensions (height):	330 mm
Cupboard Cavity Dimensions (depth):	715 mm
Net weight:	20 kg

### Optional Accessories

- Stainless steel side panel, 800x700mm, freestanding PNC 912509
  - Stainless steel front kicking strip, 400mm width PNC 912630
  - Stainless steel side kicking strip left and right, freestanding, 800mm width PNC 912655
  - Stainless steel side kicking strip left and right, against the wall, 800mm width PNC 912658
  - Stainless steel side kicking strip left and right, back-to-back, 1610mm width PNC 912661
  - Stainless steel plinth, against wall, 400mm width PNC 912840
  - Stainless steel plinth, freestanding, 400mm width PNC 912859
  - Stainless steel panel, 800x700mm, against wall, left side PNC 913093
  - Stainless steel panel, 800x700mm, against the wall, right side PNC 913097
  - Back panel, 400x450mm, for bases one-side operated PNC 913163
  - Stainless steel side panel, left, H=700 PNC 913214
  - Stainless steel side panel, right, H=700 PNC 913215
  - Perforated shelf for warming cabinets and cupboard bases (one-side operated TL80-85-90 and two-side operated for TL80) PNC 913233
  - Side reinforced panel only in combination with side shelf, for freestanding units PNC 913258
  - Side reinforced panel only in combination with side shelf, for against the wall installations, left PNC 913263
  - Side reinforced panel only in combination with side shelf, for against the wall installations, right PNC 913265
  - Side reinforced panel only in combination with side shelf, for back-to-back installations, left PNC 913271
  - Side reinforced panel only in combination with side shelf, for back-to-back installation, right PNC 913272
  - Shelf fixation for TL80-85-90 one-side operated, TL80 two-side operated PNC 913279
  - Stainless steel dividing panel, 800x700mm, (it should only be used between Electrolux Professional thermaline Modular 80 and thermaline C80) PNC 913668
- Stainless steel side panel, 800x700mm, flush-fitting (it should only be used against the wall, against a niche and in between Electrolux Professional thermaline and ProThermetic appliances and external appliances - provided that these have at least the same dimensions) PNC 913684